

# Product data sheet

Specifications



Harmony XB4, Emergency stop switching off, metal, red mushroom Ø40, Ø22, trigger latching key release, 1 NC

XB4BS9442



## Main

|                               |  |
|-------------------------------|--|
| Range of product              | Harmony XB4  |
| Product or component type     | Emergency stop push-button<br>Emergency switching off push-button  |
| Device short name             | XB4  |
| Bezel material                | Chromium plated metal  |
| Fixing collar material        | Zamak  |
| Mounting diameter             | 22 mm  |
| Sale per indivisible quantity | 1  |
| Shape of signaling unit head  | Round  |
| Type of operator              | trigger action and mechanical latching   |
| Head type                     | Standard   |
| Reset                         | Key release  |
| Operator profile              | Red mushroom Ø 40 mm, unmarked   |
| Type of keylock               | Ronis 455  |
| Key withdrawal position       | Center   |
| Contact operation             | Slow-break   |
| Connections - terminals       | Screw clamp terminals, $\leq 2 \times 1.5 \text{ mm}^2$ with cable end conforming to EN 60947-1<br>Screw clamp terminals, $>= 1 \times 0.22 \text{ mm}^2$ without cable end conforming to EN 60947-1 |

## Complementary

|                                    |  |
|------------------------------------|--|
| Height                             | 47 mm  |
| Width                              | 40 mm  |
| Depth                              | 104 mm   |
| Terminals description ISO n°1      | (21-22)NC  |
| Product weight                     | 0.133 kg   |
| Resistance to high pressure washer | 7000000 Pa at 55 °C, distance : 0.1 m                          |
| Contacts usage                     | Standard contacts  |
| Positive opening                   | With conforming to EN/IEC 60947-5-1 appendix K                 |
| Operating travel                   | 1.5 mm (NC changing electrical state)<br>4.3 mm (total travel) |

|   |   |
|---|---|
| <b>Mechanical durability</b>                                  | 300000 cycles   |
| <b>Tightening torque</b>                                      | 0.8...1.2 N.m conforming to EN 60947-1  |
| <b>Shape of screw head</b>                                    | Cross compatible with Philips no 1 screwdriver<br>Cross compatible with pozidriv No 1 screwdriver<br>Slotted compatible with flat Ø 4 mm screwdriver<br>Slotted compatible with flat Ø 5.5 mm screwdriver   |
| <b>Contacts material</b>                                      | Silver alloy (Ag/Ni)  |
| <b>Short-circuit protection</b>                               | 10 A cartridge fuse type gG conforming to EN/IEC 60947-5-1  |
| <b>[I<sub>th</sub>] conventional free air thermal current</b> | 10 A conforming to EN/IEC 60947-5-1   |
| <b>[U<sub>i</sub>] rated insulation voltage</b>               | 600 V (pollution degree 3) conforming to EN 60947-1   |
| <b>[U<sub>imp</sub>] rated impulse withstand voltage</b>      | 6 kV conforming to EN 60947-1   |
| <b>[I<sub>e</sub>] rated operational current</b>              | 3 A at 240 V, AC-15, A600 conforming to EN/IEC 60947-5-1<br>6 A at 120 V, AC-15, A600 conforming to EN/IEC 60947-5-1<br>0.1 A at 600 V, DC-13, Q600 conforming to EN/IEC 60947-5-1<br>0.27 A at 250 V, DC-13, Q600 conforming to EN/IEC 60947-5-1<br>0.55 A at 125 V, DC-13, Q600 conforming to EN/IEC 60947-5-1<br>1.2 A at 600 V, AC-15, A600 conforming to EN/IEC 60947-5-1  |
| <b>Electrical durability</b>                                  | 1000000 cycles, AC-15, 2 A at 230 V, operating rate <3600 cyc/h, load factor: 0.5 conforming to EN/IEC 60947-5-1 appendix C<br>1000000 cycles, AC-15, 3 A at 120 V, operating rate <3600 cyc/h, load factor: 0.5 conforming to EN/IEC 60947-5-1 appendix C<br>1000000 cycles, AC-15, 4 A at 24 V, operating rate <3600 cyc/h, load factor: 0.5 conforming to EN/IEC 60947-5-1 appendix C<br>1000000 cycles, DC-13, 0.2 A at 110 V, operating rate <3600 cyc/h, load factor: 0.5 conforming to EN/IEC 60947-5-1 appendix C<br>1000000 cycles, DC-13, 0.5 A at 24 V, operating rate <3600 cyc/h, load factor: 0.5 conforming to EN/IEC 60947-5-1 appendix C |
| <b>Electrical reliability</b>                                 | $\Lambda < 10\exp(-6)$ at 5 V and 1 mA in clean environment conforming to EN/IEC 60947-5-4<br>$\Lambda < 10\exp(-8)$ at 17 V and 5 mA in clean environment conforming to EN/IEC 60947-5-4   |
| <b>Device presentation</b>                                    | Complete product  |
| <b>Environment</b>  |   |
| <b>Protective treatment</b>                                   | TH  |
| <b>Ambient air temperature for storage</b>                    | -40...70 °C   |
| <b>Ambient air temperature for operation</b>                  | -40...70 °C   |
| <b>Electrical shock protection class</b>                      | Class I conforming to IEC 60536   |
| <b>IP degree of protection</b>                                | IP66 conforming to IEC 60529<br>IP67<br>IP69<br>IP69K   |
| <b>NEMA degree of protection</b>                              | NEMA 13<br>NEMA 4X  |
| <b>IK degree of protection</b>                                | IK03 conforming to IEC 50102  |
| <b>Standards</b>  | EN/IEC 60947-1<br>EN/IEC 60947-5-5<br>JIS C8201-5-1<br>EN/IEC 60947-5-4<br>IEC 60364-5-53<br>EN/IEC 60204-1<br>UL 508<br>EN/IEC 60947-5-1<br>CSA C22.2 No 14<br>EN/ISO 13850<br>JIS C8201-1   |
| <b>Product certifications</b>                                 | CSA<br>LR0S (Lloyds register of shipping)<br>DNV<br>BV<br>UL listed<br>GL   |
| <b>Vibration resistance</b>                                   | 5 gn (f= 2...500 Hz) conforming to IEC 60068-2-6  |

|                         |  |
|-------------------------|--|
| <b>Shock resistance</b> | 30 gn (duration = 18 ms) for half sine wave acceleration conforming to IEC 60068-2-27<br>50 gn (duration = 11 ms) for half sine wave acceleration conforming to IEC 60068-2-27 |
|-------------------------|--|

## Packing Units

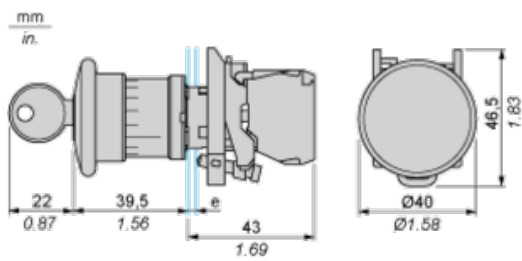
|                                     |            |
|-------------------------------------|------------|
| <b>Unit Type of Package 1</b>       | PCE        |
| <b>Number of Units in Package 1</b> | 1          |
| <b>Package 1 Weight</b>             | 151.0 g    |
| <b>Package 1 Height</b>             | 9 cm       |
| <b>Package 1 width</b>              | 5.3 cm     |
| <b>Package 1 Length</b>             | 4.3 cm     |
| <b>Unit Type of Package 2</b>       | P06        |
| <b>Number of Units in Package 2</b> | 640        |
| <b>Package 2 Weight</b>             | 110.204 kg |
| <b>Package 2 Height</b>             | 77 cm      |
| <b>Package 2 width</b>              | 80 cm      |
| <b>Package 2 Length</b>             | 60 cm      |
| <b>Unit Type of Package 3</b>       | S03        |
| <b>Number of Units in Package 3</b> | 80         |
| <b>Package 3 Weight</b>             | 12.572 kg  |
| <b>Package 3 Height</b>             | 30 cm      |
| <b>Package 3 width</b>              | 30 cm      |
| <b>Package 3 Length</b>             | 40 cm      |

## Offer Sustainability

|                                   |   |
|-----------------------------------|---|
| <b>Sustainable offer status</b>   | Green Premium product   |
| <b>REACH Regulation</b>           | <a href="#">REACH Declaration</a>   |
| <b>EU RoHS Directive</b>          | Pro-active compliance (Product out of EU RoHS legal scope)<br><a href="#">EU RoHS Declaration</a>   |
| <b>Mercury free</b>               | Yes   |
| <b>RoHS exemption information</b> | <a href="#">Yes</a>   |
| <b>China RoHS Regulation</b>      | <a href="#">China RoHS declaration</a>  |
| <b>Environmental Disclosure</b>   | <a href="#">Product Environmental Profile</a>   |
| <b>Circularity Profile</b>        | <a href="#">End of Life Information</a>   |
| <b>WEEE</b>                       | The product must be disposed on European Union markets following specific waste collection and never end up in rubbish bins   |
| <b>California proposition 65</b>  | WARNING: This product can expose you to chemicals including: Lead and lead compounds, which is known to the State of California to cause cancer and birth defects or other reproductive harm. For more information go to <a href="http://www.P65Warnings.ca.gov">www.P65Warnings.ca.gov</a> |

**Dimensions**

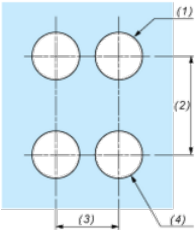
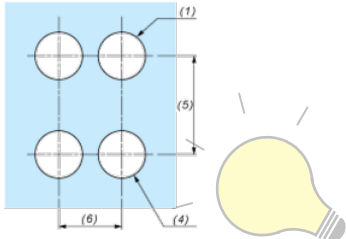
---



e : clamping thickness: 1 to 6 mm / 0.04 to 0.24 in.



**Panel Cut-out for Pushbuttons, Switches and Pilot Lights (Finished Holes, Ready for Installation)**

| Connection by Screw Clamp Terminals or Plug-in Connectors or on Printed Circuit Board  | Connection by Faston Connectors  |
|--|--|
|   |  |
| <p>(1) Diameter on finished panel or support<br/>(2) 40 mm min. / 1.57 in. min.<br/>(3) 30 mm min. / 1.18 in. min.<br/>(4) Ø 22.5 mm / 0.89 in. recommended (Ø 22.3 mm<sub>0</sub><sup>+0.4</sup> / 0.88 in.<sub>0</sub><sup>+0.016</sup>)<br/>(5) 45 mm min. / 1.78 in. min.<br/>(6) 32 mm min. / 1.26 in. min.</p> |  |

