

Product data sheet کلیک کنید

Specifications



IEC contactor, TeSys Deca, nonreversing, 9A, 5HP at 480VAC, up to 100kA SCCR, 3 phase, 3 NO, 24VAC 50/60Hz coil, open style

LC1D09B7

Product availability: Stock - Normally stocked in distribution facility

Price*: 112.80 USD

Main

Range Of Product	TeSys Deca
Product Or Component Type	Contactors
Device Short Name	LC1D
Contactors Application	Resistive load Motor control
Utilisation Category	AC-4 AC-1 AC-3 AC-3e
Poles Description	3P
[Ue] Rated Operational Voltage	Power circuit <= 690 V AC 25...400 Hz Power circuit <= 300 V DC
[Ie] Rated Operational Current	9 A (at <140 °F (60 °C)) at <= 440 V AC AC-3 for power circuit 25 A (at <140 °F (60 °C)) at <= 440 V AC AC-1 for power circuit 9 A (at <140 °F (60 °C)) at <= 440 V AC AC-3e for power circuit
[Uc] Control Circuit Voltage	24 V AC 50/60 Hz

Complementary

Motor Power Kw	2.2 kW at 220...230 V AC 50/60 Hz (AC-3) 4 kW at 380...400 V AC 50/60 Hz (AC-3) 4 kW at 415...440 V AC 50/60 Hz (AC-3) 5.5 kW at 500 V AC 50/60 Hz (AC-3) 5.5 kW at 660...690 V AC 50/60 Hz (AC-3) 2.2 kW at 400 V AC 50/60 Hz (AC-4) 2.2 kW at 220...230 V AC 50/60 Hz (AC-3e) 4 kW at 380...400 V AC 50/60 Hz (AC-3e) 4 kW at 415...440 V AC 50/60 Hz (AC-3e) 5.5 kW at 500 V AC 50/60 Hz (AC-3e) 5.5 kW at 660...690 V AC 50/60 Hz (AC-3e)
Maximum Horse Power Rating	1 hp at 230/240 V AC 50/60 Hz for 1 phase motors 2 hp at 200/208 V AC 50/60 Hz for 3 phase motors 2 hp at 230/240 V AC 50/60 Hz for 3 phase motors 5 hp at 460/480 V AC 50/60 Hz for 3 phase motors 7.5 hp at 575/600 V AC 50/60 Hz for 3 phase motors 0.33 hp at 115 V AC 50/60 Hz for 1 phase motors
Compatibility Code	LC1D
Pole Contact Composition	3 NO
Contact Compatibility	M2
Protective Cover	With

Price is "List Price" and may be subject to a trade discount – check with your local distributor or retailer for actual price.

[Ith] Conventional Free Air Thermal Current	25 A (at 140 °F (60 °C)) for power circuit 10 A (at 140 °F (60 °C)) for signalling circuit
Irms Rated Making Capacity	250 A at 440 V for power circuit conforming to IEC 60947 140 A AC for signalling circuit conforming to IEC 60947-5-1 250 A DC for signalling circuit conforming to IEC 60947-5-1
Rated Breaking Capacity	250 A at 440 V for power circuit conforming to IEC 60947
[Icw] Rated Short-Time Withstand Current	105 A 104 °F (40 °C) - 10 s for power circuit 210 A 104 °F (40 °C) - 1 s for power circuit 30 A 104 °F (40 °C) - 10 min for power circuit 61 A 104 °F (40 °C) - 1 min for power circuit 100 A - 1 s for signalling circuit 120 A - 500 ms for signalling circuit 140 A - 100 ms for signalling circuit
Associated Fuse Rating	10 A gG for signalling circuit conforming to IEC 60947-5-1 25 A gG at <= 690 V coordination type 1 for power circuit 20 A gG at <= 690 V coordination type 2 for power circuit
Average Impedance	2.5 mOhm - Ith 25 A 50 Hz for power circuit
Power Dissipation Per Pole	1.56 W AC-1 0.2 W AC-3 0.2 W AC-3e
[Ui] Rated Insulation Voltage	Power circuit 690 V IEC 60947-4-1 Power circuit 600 V CSA Power circuit 600 V UL Signalling circuit 690 V IEC 60947-1 Signalling circuit 600 V CSA Signalling circuit 600 V UL
Overvoltage Category	III
Pollution Degree	3
[Uimp] Rated Impulse Withstand Voltage	6 kV IEC 60947
Safety Reliability Level	B10d = 1369863 cycles contactor with nominal load EN/ISO 13849-1 B10d = 20000000 cycles contactor with mechanical load EN/ISO 13849-1
Mechanical Durability	15 Mcycles
Electrical Durability	0.6 Mcycles 25 A AC-1 <= 440 V 2 Mcycles 9 A AC-3 <= 440 V 2 Mcycles 9 A AC-3e <= 440 V
Control Circuit Type	AC 50/60 Hz standard
Coil Technology	Without built-in suppressor module
Control Circuit Voltage Limits	0.3...0.6 Uc -40...158 °F (-40...70 °C) drop-out AC 50/60 Hz 0.8...1.1 Uc -40...140 °F (-40...60 °C) operational AC 50 Hz 0.85...1.1 Uc -40...140 °F (-40...60 °C) operational AC 60 Hz 1...1.1 Uc 140...158 °F (60...70 °C) operational AC 50/60 Hz
Inrush Power In Va	70 VA 60 Hz cos phi 0.75 (at 68 °F (20 °C)) 70 VA 50 Hz cos phi 0.75 (at 68 °F (20 °C))
Hold-In Power Consumption In Va	7.5 VA 60 Hz cos phi 0.3 (at 68 °F (20 °C)) 7 VA 50 Hz cos phi 0.3 (at 68 °F (20 °C))
Heat Dissipation	2...3 W at 50/60 Hz
Operating Time	12...22 ms closing 4...19 ms opening
Maximum Operating Rate	3600 cyc/h 140 °F (60 °C)

Connections - Terminals	<p>Power circuit: screw clamp terminals 1 0.00...0.01 in² (1...4 mm²) - cable stiffness: flexible without cable end</p> <p>Power circuit: screw clamp terminals 2 0.00...0.01 in² (1...4 mm²) - cable stiffness: flexible without cable end</p> <p>Power circuit: screw clamp terminals 1 0.00...0.01 in² (1...4 mm²) - cable stiffness: flexible with cable end</p> <p>Power circuit: screw clamp terminals 2 0.00...0.00 in² (1...2.5 mm²) - cable stiffness: flexible with cable end</p> <p>Power circuit: screw clamp terminals 1 0.00...0.01 in² (1...4 mm²) - cable stiffness: solid without cable end</p> <p>Power circuit: screw clamp terminals 2 0.00...0.01 in² (1...4 mm²) - cable stiffness: solid without cable end</p> <p>Control circuit: screw clamp terminals 1 0.00...0.01 in² (1...4 mm²) - cable stiffness: flexible without cable end</p> <p>Control circuit: screw clamp terminals 2 0.00...0.01 in² (1...4 mm²) - cable stiffness: flexible without cable end</p> <p>Control circuit: screw clamp terminals 1 0.00...0.01 in² (1...4 mm²) - cable stiffness: flexible with cable end</p> <p>Control circuit: screw clamp terminals 2 0.00...0.00 in² (1...2.5 mm²) - cable stiffness: flexible with cable end</p> <p>Control circuit: screw clamp terminals 1 0.00...0.01 in² (1...4 mm²) - cable stiffness: solid without cable end</p> <p>Control circuit: screw clamp terminals 2 0.00...0.01 in² (1...4 mm²) - cable stiffness: solid without cable end</p>
Tightening Torque	<p>Power circuit 15.05 lbf.in (1.7 N.m) screw clamp terminals flat Ø 6 mm</p> <p>Power circuit 15.05 lbf.in (1.7 N.m) screw clamp terminals Philips No 2</p> <p>Control circuit 15.05 lbf.in (1.7 N.m) screw clamp terminals flat Ø 6 mm</p> <p>Control circuit 15.05 lbf.in (1.7 N.m) screw clamp terminals Philips No 2</p> <p>Control circuit 15.05 lbf.in (1.7 N.m) screw clamp terminals pozidriv No 2</p> <p>Power circuit 15.05 lbf.in (1.7 N.m) screw clamp terminals pozidriv No 2</p>
Auxiliary Contact Composition	1 NO + 1 NC
Auxiliary Contacts Type	Mechanically linked 1 NO + 1 NC IEC 60947-5-1 Mirror contact 1 NC IEC 60947-4-1
Signalling Circuit Frequency	25...400 Hz
Minimum Switching Voltage	17 V for signalling circuit
Minimum Switching Current	5 mA for signalling circuit
Insulation Resistance	> 10 MOhm for signalling circuit
Non-Overlap Time	1.5 ms on de-energisation between NC and NO contact 1.5 ms on energisation between NC and NO contact
Mounting Support	Rail Plate
Environment	
Standards	<p>CSA C22.2 No 14</p> <p>EN 60947-4-1</p> <p>EN 60947-5-1</p> <p>IEC 60947-4-1</p> <p>IEC 60947-5-1</p> <p>UL 508</p> <p>IEC 60335-1</p>
Product Certifications	<p>GL</p> <p>CSA</p> <p>GOST</p> <p>RINA</p> <p>LROS (Lloyds register of shipping)</p> <p>UL</p> <p>DNV</p> <p>BV</p> <p>CCC</p> <p>CB Scheme</p>
Ip Degree Of Protection	IP20 front face IEC 60529
Protective Treatment	THIEC 60068-2-30
Climatic Withstand	<p>IACS E10 exposure to damp heat</p> <p>IEC 60947-1 Annex Q category D exposure to damp heat</p>

Permissible Ambient Air Temperature Around The Device	-40...140 °F (-40...60 °C) 140...158 °F (60...70 °C) with derating
Operating Altitude	0...9842.52 ft (0...3000 m)
Fire Resistance	1562 °F (850 °C) IEC 60695-2-1
Flame Retardance	V1 conforming to UL 94
Mechanical Robustness	Vibrations contactor open 2 Gn, 5...300 Hz) Vibrations contactor closed 4 Gn, 5...300 Hz) Shocks contactor open 10 Gn for 11 ms) Shocks contactor closed 15 Gn for 11 ms)
Height	3.03 in (77 mm)
Width	1.77 in (45 mm)
Depth	3.39 in (86 mm)
Net Weight	0.71 lb(US) (0.32 kg)

Ordering and shipping details

Category	US10I1222354
Discount Schedule	0I12
Gtin	3389110348675
Returnability	Yes
Country Of Origin	FR

Packing Units

Unit Type Of Package 1	PCE
Number Of Units In Package 1	1
Package 1 Height	1.97 in (5.000 cm)
Package 1 Width	3.62 in (9.200 cm)
Package 1 Length	4.41 in (11.200 cm)
Package 1 Weight	12.52 oz (355.000 g)
Unit Type Of Package 2	S02
Number Of Units In Package 2	20
Package 2 Height	5.91 in (15.000 cm)
Package 2 Width	11.81 in (30.000 cm)
Package 2 Length	15.75 in (40.000 cm)
Package 2 Weight	16.20 lb(US) (7.346 kg)
Unit Type Of Package 3	P06
Number Of Units In Package 3	320
Package 3 Height	29.53 in (75.000 cm)
Package 3 Width	23.62 in (60.000 cm)
Package 3 Length	31.50 in (80.000 cm)
Package 3 Weight	279.30 lb(US) (126.688 kg)

Contractual warranty

Warranty	18 months
-----------------	-----------

Sustainability

Green Premium™ label is Schneider Electric's commitment to delivering products with best-in-class environmental performance. Green Premium promises compliance with the latest regulations, transparency on environmental impacts, as well as circular and low-CO₂ products.

Guide to assessing product sustainability is a white paper that clarifies global eco-label standards and how to interpret environmental declarations.

[Learn more about Green Premium >](#)

[Guide to assess a product's sustainability >](#)



Transparency RoHS/REACH

Well-being performance

✓ Reach Free Of Svhc

✓ Toxic Heavy Metal Free

✓ Mercury Free

✓ Rohs Exemption Information [Yes](#)

✓ Pvc Free

Certifications & Standards

Reach Regulation [REACH Declaration](#)

Eu Rohs Directive [Compliant](#)
[EU RoHS Declaration](#)

China Rohs Regulation [China RoHS declaration](#)
Pro-active China RoHS declaration (out of China RoHS legal scope)

Environmental Disclosure [Product Environmental Profile](#)

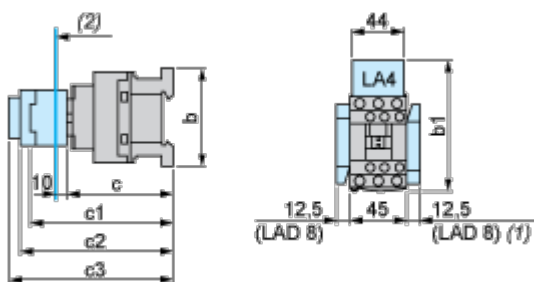
Weee The product must be disposed on European Union markets following specific waste collection and never end up in rubbish bins.

Circularity Profile [End of Life Information](#)

California Proposition 65 **WARNING:** This product can expose you to chemicals including: Antimony oxide & Antimony trioxide, which is known to the State of California to cause cancer. For more information go to www.P65Warnings.ca.gov

Dimensions Drawings

Dimensions



- (1) Including LAD 4BB
- (2) Minimum electrical clearance

LC1		D09...D18	D093...D123	D099...D129
b	without add-on blocks	77	99	80
b1	with LAD 4BB	94	107	95.5
	with LA4 D•2	110 ⁽¹⁾	123 ⁽¹⁾	111.5 ⁽¹⁾
	with LA4 DF, DT	119 ⁽¹⁾	132 ⁽¹⁾	120.5 ⁽¹⁾
	with LA4 DW, DL	126 ⁽¹⁾	139 ⁽¹⁾	127.5 ⁽¹⁾
c	without cover or add-on blocks	84	84	84
	with cover, without add-on blocks	86	86	86
c1	with LAD N or C (2 or 4 contacts)	117	117	117
c2	with LA6 DK10, LAD 6K10	129	129	129
c3	with LAD T, R, S	137	137	137
	with LAD T, R, S and sealing cover	141	141	141
(1)	Including LAD 4BB.			

Connections and Schema

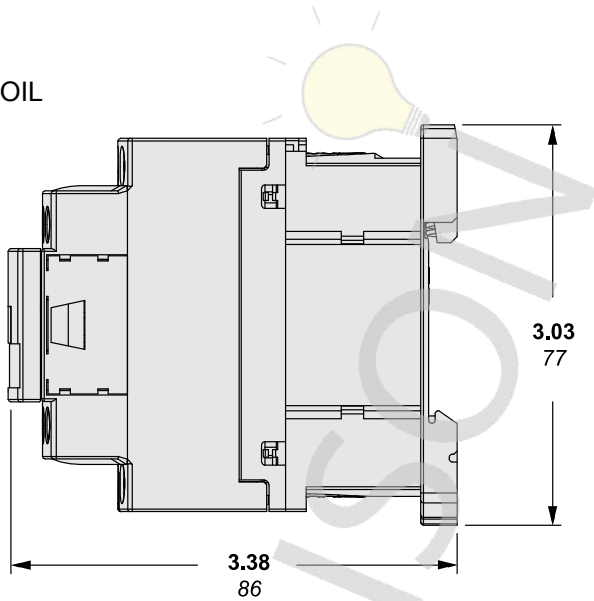
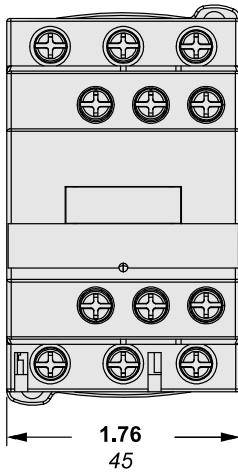
Wiring



Technical illustration

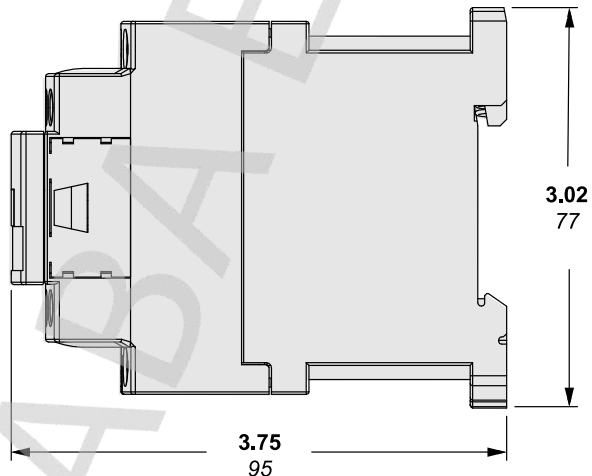
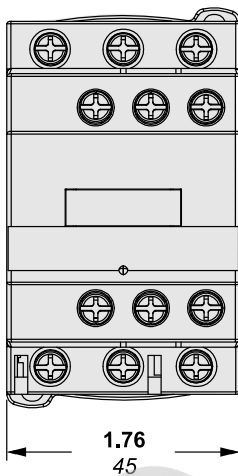
Dimensions

CONTACTOR WITH AC COIL



in.
mm

CONTACTOR WITH DC COIL



All dimensions are approximate. Also refer to technical drawings and documentation.